



# GENERAL SUPPLEMENTAL SPECIFICATIONS TO THE SUDAS STANDARD SPECIFICATIONS, CURRENT EDITION

Effective Date: June 1, 2024

This project will be constructed in accordance with the Current Edition of the Iowa Statewide Urban Standard Specifications for Public Improvements Manual (SUDAS) which was adopted by the Board of Trustees of the West Des Moines Water Works, on November 16, 2015, as further revised by these General Supplemental Specifications.

The Iowa Statewide Urban Standard Specifications for Public Improvements Manual (SUDAS) may be viewed at the Iowa SUDAS website <http://www.iowasudas.org>

Said SUDAS Standard Specifications as adopted for West Des Moines Water Works projects are hereby amended as follows:

## **DIVISION 1 – GENERAL PROVISIONS AND COVENANTS**

### **Section 1010 – General Conditions**

**Part 1.03 – Definitions and Terms** – Add the following definitions and terms.

**BOARD OF TRUSTEES.** The governing body of the West Des Moines Water Works as constituted under Iowa Code Chapter 388.

**CITY.** The City of West Des Moines, Iowa.

**WATER WORKS.** The West Des Moines Water Works, acting through its Board of Trustees. The terms “Jurisdiction” and “Water Works” are used interchangeably in these Modifications.

### **Section 1015 – Water Works Plan Submittal Requirements (New Section)**

#### **Part 1.01 – General Requirements**

- A. Design water mains and appurtenances in accordance with the following standards:
  1. Iowa Department of Natural Resources Standards and Requirements
  2. SUDAS Design Manual, current edition
  3. City of West Des Moines Comprehensive Plan
- B. Submit plans of proposed construction for review and approval prior to commencing construction activities.
  1. Water Works – Submit plans to the Principal Engineer – Water Distribution and Development, West Des Moines Water Works, 1505 Railroad Avenue, West Des Moines, Iowa 50265.
    - a. Plan should be certified by a registered professional engineer as contemplated by Chapter 542B, Code of Iowa.
    - b. Review submittal should include one (1) copy.
    - c. Final submittal should include one (1) printed copy and a PDF of the drawings. Submittal shall be to scale.
    - d. 11x17 printed size preferred for all submitted plans.

2. Other Approvals – Projects may require the applicant to obtain permits from other entities. These may include, but are not limited to, the City of West Des Moines, the Iowa Department of Natural Resources, Iowa Department of Transportation, the US Army Corps of Engineers, and Railroad companies. Permit fees are the responsibility of the applicant, not the Water Works.
- C. Do not begin work or make connection to the existing water distribution system until all required permits have been received and Water Works has approved construction plans, unless otherwise authorized by Water Works.
- D. Excavation, pipe laying, backfilling, testing and disinfecting of water mains, water service connections and all appurtenances shall be subject to inspection by a representative of the Water Works to ensure compliance with specifications.
- E. The cost of inspection and testing as set out in Water Works Resolutions shall be paid prior to acceptance of the work by the Water Works, or if the work is to remain privately owned, prior to the first occupancy of the building or site.

**Part 1.02 – Information for the Water Works**

- A. A minimum of seven (7) calendar days prior to beginning construction, provide two (2) copies of the following:
  1. Certificates of Insurance as required by Section 1070, Part 3.
  2. Railroad Protective Liability Insurance, if appropriate.
  3. Copies of approved permits required for the project.

**Part 1.03 – Information for the Water Works following construction**

- A. After construction is complete, provide the following information. Information shall be provided to the Water Works prior to acceptance of the work by the Water Works, or if the work is to remain privately owned, prior to the first occupancy of the building or site.
  1. Provide As-Built drawings, scalable at 11"x17" size, in both PDF and MicroStation DGN files format. Preferred media is a USB drive, however, CD or DVD will be accepted.
  2. Additional requirements for work which Water Works will accept ownership and maintenance responsibility.
    - a. Two (2) copies of Maintenance Bond as required by Section 1070, Part 3.
    - b. One (1) copy of a tabulation showing installed lengths and costs of each diameter of water main and the number and total cost of hydrants installed. Pipe cost should include the costs of valves, valve boxes, fittings and other items appropriate to each diameter of pipe. Tabulation should total 100% of value of work, except for water service and fire protection connections.

**Section 1020 – Proposal Requirements and Conditions**

**Part 1.08 – Taxes**

Delete paragraph B. Alternate Sales and Use Tax.

**Section 1030 – Approval for Award and Award of Contract**

**Part 1.03 – Award of Contract**

Add the following new E.

- E. Water Works will furnish up to two (2) printed sets and one reproducible PDF of the Contract Documents after execution of the Contract.

### **Section 1050 – Control of Work**

#### **Part 1.03 – Cooperation by the Contractor**

Add the following new E – G.

- E. Cooperate with local governmental agencies; secure necessary permits and arrange for inspections at proper time.
- F. Coordinate all water main and service relocation, transfer and/or replacement with Water Works to notify residents and businesses, in writing, at least two (2) working days in advance when construction will disrupt or block access to their property. Cooperate with Water Works and business owners to schedule work to minimize their access to businesses that may be disrupted. Weekend work or work outside normal work hours may be considered with written approval by Water Works.
- G. The Contractor shall coordinate all operation of Water Valves with the Water Works. The Contractor shall not operate any valves without the prior approval of the Water Works.

#### **Part 1.07 – Examination of Materials and Work**

Add the following new C & D.

- C. All materials are subject to inspection and rejection at the site by Water Works.
- D. Laboratory materials tests shall be accomplished by an independent testing laboratory.

### **Section 1070 – Legal Relations and Responsibility to the Public**

#### **Part 2.06 – Traffic Control**

Add the following new A.3 and A.4

- 3. Install orange safety fence around all excavations as specified hereinafter; maintain safety fence in tight and sound condition; install safety fence suitable distances from excavation to reasonably prevent persons from falling into excavations or having access to spoil piles.
- 4. The Contractor shall be responsible for sufficiently restraining all traffic control devices used on the project to prevent movement by wind or other natural forces.

#### **Part 2.06 – Traffic Control**

Add the following new B.5.

- 1. In addition to the above, the Contractor shall submit lane closure layouts and traffic control plans to the Traffic Division of the City of West Des Moines Public Works Department (515.222.3480) a minimum of 48 hours prior to the desired closure of any traffic lanes.
  - a. Provide Water Works with a copy of approved Traffic Control Plan and Lane Closure Layouts. No work will be allowed until copies are received.

#### **Part 2.15 – Finishing and Cleanup Requirements**

Add the following to this section.

At a minimum, the following clean-up requirements apply to work on the project:

Daily – General clean-up of the area in which work took place, including cleaning of paved surfaces, piling of debris in neat piles at reasonable locations as agreed by the Water Works, and securing materials against unintended movement.

Periodic – The Contractor may be requested to perform periodic site clean-up depending on weather and dust conditions. This includes machine broom cleaning of paved surfaces and removal of equipment debris and other material no longer needed for the remainder of the project.

Final – Upon completion of the work, the Contractor shall remove all of its equipment, return the area of work to a neat and clean condition, and do other cleaning necessary to complete the work in a workmanlike manner satisfactory to the Water Works.

## **Section 1080 – Prosecution and Progress**

### **Part 1.03 – Work Progress and Schedule**

Add the following new D & E.

- D. Contractor shall follow all applicable provisions of the City of Wet Des Moines Noise Ordinance.
- E. Clean up and provide surface restoration and surfacing replacement as construction progresses as specified herein.

### **Part 1.09 – Extension of Time**

Insert the following sentence after the second sentence of paragraph B.

The request shall include clear, concise reasons for requesting an extension; provide relevant data to support the extension request.

Insert the following sentence at the end of paragraph B.2. Other Contractors.

Other Contractors shall not be interpreted to include the Contractor's sub-contractors

Delete paragraph D and replace with the following paragraph D.

- D. **Extension of Time Granted:** No extension of time shall be granted or recognized except as specifically approved by the General Manager of West Des Moines Water Works in writing to the Contractor. Oral representations or agreements by Water Works agents or employees regarding time extension shall not be binding on the Water Works.

## **DIVISION 2 – EARTHWORK**

No modifications

## **DIVISION 3 – TRENCH, BACKFILLING AND TUNNELLING**

### **Section 3010 – Trench and Backfill**

#### **Part 3.01 – Trench Excavation**

Add the following new E – G.

- E. Trees, Plantings and Shrubbery – Remove or modify trees, plantings and shrubbery only with prior written authorization of Water Works, except for trees marked for removal or modification on plans. Excavate by hand under tree roots 2" diameter and larger.
  - 1. Cut tree roots larger than 2" diameter only when authorized by Water Works. Cut such roots with a saw; do not pull or tear the roots.
  - 2. Conform with City of West Des Moines Tree Ordinance.

- F. Backfill trench immediately after Water Works has recorded location of connections and appurtenances and after Water Works has inspected the work.

1. The Contractor shall leave connections and appurtenances exposed until the location has been recorded by West Des Moines Water Works. Connections and appurtenances which are backfilled prior to Water Works inspection and recording of locations are subject to re-excavation for Water Works observation at no additional cost to the Water Works.

- G. Allow no more than 100 feet of trench to be open at one time; install appurtenances and backfill as work progresses.

#### **DIVISION 4 – SEWERS AND DRAINS**

No modifications

#### **DIVISION 5 – WATER MAINS AND APPURTENANCES**

##### **Section 5010 - Pipe and Fittings**

##### **Part 1.07 – Special Requirements**

Add the following new paragraphs.

West Des Moines Water Works requires special considerations for pipe material in the vicinity of both existing and planned Underground Storage Tanks (UST) and Leaking Underground Storage Tanks (LUST).

##### **What Is A Leaking Underground Storage Tank (LUST)?**

An UST is a tank and associated piping with 10% or more of its volume below ground and which stored or is storing a regulated substance. A LUST is a leaking underground storage tank. A regulated substance is an element, compound or solution which, if released into the environment, may present danger to the public health or welfare, or the environment and includes the following:

- any petroleum or petroleum based substances (motor fuels, petroleum solvents, lubricants, used oil, etc.);
- any substance that exhibits hazardous characteristics defined in the Resource Conservation and Recovery Act (RCRA) hazardous waste regulations –or–
- any substance regulated under the Comprehensive Environmental Response, Compensation and Liability Act of 1980 (CERCLA).

##### **How does a LUST site affect approval for new water service connections?**

Section 8.1.2 of the Ten State Standards for Water Main Materials for permeation by organic compounds requires where distribution systems are installed in areas of groundwater contaminated by organic compounds, a) pipe and joint materials which do not allow permeation of the organic compounds shall be used and b) non-permeable materials shall be used for all portions of the system including pipe, joint materials, hydrant leads, and *service connections*. All new water services larger than 2" diameter that are located within a 500' radius of a LUST site will be required to be ductile iron pipe with nitrile gaskets. All 2" and smaller services must be type K Copper.

##### **How Do I Get Information About A Specific LUST Site?**

LUST sites can be added or removed at any time. To obtain current data, you may use the IDNR's website (<https://facilityexplorer.iowadnr.gov/facilityexplorer/>). The search should be for all sites within a 1,000 foot radius of the project. Write down the LUST site number(s) for all of the circles which fall within your project area.

Provide the LUST site numbers to the IDNR Records Center to request Utility Company Notification and associated plume maps for each LUST site. Contact information is as follows: Iowa DNR Records Center, Iowa Department of Natural Resources, 502 E 9th Street, Des Moines, IA 50319; phone: 515-242-5818; fax: 515-281-8895; e-mail: [dnr.records@dnr.iowa.gov](mailto:dnr.records@dnr.iowa.gov)

Once you receive the information back from the IDNR Records Center, you will need to submit to WDMWW for review. This information will give more exact locations for the contamination plume(s).

The project must be at least 200' away from the edge of the contamination plume in order to use PVC pipe. If your project site falls within a LUST site, you will be required to use DI pipe w/nitrile gaskets for services larger than 2". WDMWW requires type K copper for 2" and smaller services. Any reference in the LUST documentation to a site being "cleared for PVC pipe" does NOT mean new PVC pipe is allowed on the site, but rather that PVC water lines were either not present or not considered to be at-risk receptors when the LUST site was evaluated.

For the purposes of the above requirements, USTs are considered to be a LUST with a zero foot contamination plume, measured from the outside edge of the tank or any granular bedding material.

### **Part 1.07 – Special Requirements**

Insert the following paragraph.

Water Services in the West Des Moines Water Works system shall be constructed with the following materials:

1. Typical Service (Domestic and/or Irrigation)
  - a. Service pipes larger than 2" diameter – Use DIP or C900 pipe as specified in Section 5010, Part 2.01.
  - b. Service pipes 2" diameter or smaller – Use Type K Copper pipe as specified in Section 5010, Part 2.07.
  - c. Where a meter pit is used, additional materials may be allowed following the water meter as allowed by the City of West Des Moines plumbing code. Prior to the water meter, use the materials described in "a" and "b" above. Provide tracer wire from the meter pit to the building on all non-metallic water service pipes.
2. Dedicated Fire Service
  - a. Service pipes larger than 2" diameter – Use DIP or C900 pipe as specified in Section 5010, Part 2.01.
  - b. Service pipes 2" diameter or smaller – From water main to the curb stop, use Type K Copper pipe as specified in Section 5010, Part 2.07. Following the curb stop, additional materials may be allowed following the water meter as allowed by the City of West Des Moines plumbing code. Provide tracer wire from the curb stop to the building on all non-metallic water service pipes.

### **Part 1.08 – Measurement and Payment**

Insert the following sentence at the end of paragraph F.1.

Use this item for 10-inch diameter pipes and smaller.

Insert the following sentence at the end of paragraph G.1.

Use this item for 12-inch diameter pipes and larger.

Add the following new I

**I. Abandon Water Service**

1. **Measurement:** Each abandonment will be counted.
2. **Payment:** Payment will be at the unit price for each abandonment.
3. **Includes:** Unit price includes, but is not limited to existing surfacing removal, excavation, dewatering, and disconnection from the existing system, installation of a Stainless Steel Full Circle Repair Clamp, backfill, and surface restoration at the location of the disconnection.

**Part 2.02 – Bolts for Water Main and Fittings**

Add the following new A.4

4. Provide Cor-Blue or Cor-Ten nuts and bolts for all bolted water main connections on valves, specialty fittings and items.

Delete B and replace with the following new B.

- B. Other Bolts and Nuts:** Only as approved by the Water Works.

**Part 2.03 – Fittings**

Delete A.1 and add the following new A.1

**1. Joint Type:**

- a. For all pipe sizes, use restrained mechanical joint system. Provide follower gland using breakaway torque bolts to engage thrust restraint.
  1. Minimum pressure rating same as connecting pipe. For fittings between dissimilar pipes, the minimum pressure rating is the lesser of the two pipes.
  2. Suitable for buried service.
  3. Joint restraint system to be field installable, field removable, and re-installable.
- b. Restrained mechanical joint system to be:
  1. MEGALUG Series 2000PV Series or STAR StarGrip 4000 Series for Polyvinyl Chloride Pipe (PVC)
  2. MEGALUG Series 1100 Series or STAR StarGrip 3000 Series for Ductile Iron Pipe (DIP)
- c. Use of alternate restraint systems must be approved by the Water Works.

Add the following new D.

- D. Stainless Steel Repair Clamp:** Use for service line abandonment or as directed by the Water Works.
1. Pre-approved manufacturers: Smith Blair 261 Series, or approved equal.
  2. Sleeve width to be a minimum of 12”

**Part 2.04 – Concrete Thrust Blocks**

Delete C. and replace with the following new C.

- C. Use for all pipe sizes unless otherwise specified.

**Part 2.05 – Pipeline Accessories**

Delete B.4 and add the following new B.4

**4. Splice Kit:**

- a. DryConn Direct Bury Lug Aqua (SKU 90220), or approved equal.
- b. Inline resin splice kit with split bolt (1 kV and 5kV) for use with single conductor and unshielded cable splices in direct bury and submersible applications.

Delete B.5 and add the following new B.5

5. **Tracer Wire Station:** AA Manufacturing Tracer Wire Receptacle, Model TW-18, or approved equal.

### **Part 2.07 – Water Service Pipe and Appurtenances**

Delete B.3, B.4 and B.5 and add the following new B.3 and B.4.

3. **PVC Pipe:** As specified in Section 5010, 2.01.
4. **Other Materials:** None allowed.

Delete C and add the following new C.

**C. Appurtenances:** Use only “No Lead” Brass. Use the following series, or approved equal.

1. Corporation valve: A.Y. McDonald Mfg. Co. – 74701B-22 Series
2. Curb valve (Stop): A.Y. McDonald Mfg. Co. – 76100-22 Series
3. Curb valve boxes (Stop Box): A.Y. McDonald Mfg. Co. – 5601 Series
4. Compression coupling: A.Y. McDonald Mfg. Co. – 74758-22
5. Water service saddles: Smith-Blair, Inc. – 317 Service Saddle

### **Part 3.01 – Pipe Installation**

Delete A.8 and replace with the following new A.8.

8. Install restrained joints and concrete thrust blocks on all fittings.

Add the following new B.1.a.

- a. Water Main pipe shall use bedding class P-1 per SUDAS Figure SW-104 unless otherwise specified in the contract documents.

### **Part 3.05 – Tracer System Installation**

Add the following new A.1.

1. Use Solid Steel Copper Conductor or Bimetallic Copper Clad Steel Conductor for open-cut applications. Use only Bimetallic Copper Clad Steel Conductor for trenchless applications.

Add the following to the end of D.

Wrap all splices in 10 mil thickness polyethylene pressure tape.

Delete F. and replace with the following new F.

- F. Continue tracer wire through fire hydrants and valves. Bring wire to surface as detailed in WDMWW Modified Figure 5010.02.

### **Part 3.06 – Conflicts**

Add the following new E.

**E. Surface Water Crossings:**

1. Above-water Crossings: Use only where specifically allowed by the Water Works.
  - a. Adequately support and anchor pipe used for above-water crossings.
  - b. Protect pipe from damage and freezing.
  - c. Ensure pipe is accessible for repair or replacement.
2. Underwater Crossings:
  - a. Use restrained joint, ductile iron, pipe for water mains entering or crossing streams that are 15 feet in width or larger.
    - i. Place the top of the water main a minimum of seven (7) feet below the natural bottom of the streambed.



- ii. Securely anchor the water main to prevent movement of the pipe and provide easily accessible shutoff valves located outside the floodway at each end of the water crossing.
  - iii. Provide hydrant assembly on the creek side of one of the accessible valves.
  - iv. Ensure ductile iron pipe extends completely from accessible valve to accessible valve.
  - v. For open cut excavations, backfill the trench with crushed rock or gravel.
  - vi. Seed, sod, or otherwise protect the streambank from erosion upon completion of the Project.
- b. For smaller streams, the same requirements shall apply except that shutoff valves do not need to be located immediately adjacent to the water crossing.
  - c. The Water Works will electronically pinpoint leaks in lieu of inserting a small meter to determine leakage and obtain water samples on each side of shutoff valve.

### **Part 3.09 – Water Service Stub**

Add the following new A.1.

- 1. Maximum service length to building shall be 100 feet as measured from the property line. Services exceeding this length require a meter pit. Refer to West Des Moines Water Works Water Service Line and Metering Specifications for additional information.
- 2. Meter Pits shall be placed on the property served and shall be located within five feet of the property line unless otherwise approved by West Des Moines Water Works. Refer to Special Figure for additional information.

Add the following new D – E.

- D. Water Works will provide corporation valves and water service saddles for all projects. The Water Works will make all water main service taps. Water Works will provide curb valve, box and rod for installation by Contractor. Applicable Water Works fees shall apply. Contact Water Works to schedule a minimum of one (1) working day prior to requested installation.
  - 1. Manufactured tees may be allowed in lieu of service taps, if approved by the Water Works. Applicable fees for Water Works supplied materials still apply.
  - 2. Water Works Contracted Water Main Reconstruction Projects
    - a. The Water Works will allow contractor tapping of the water main.
    - b. The Water Service Connection fees shall not apply.
- E. Special Requirements for Water Works Reconstruction Projects
  - 1. Coordinate all water service pipe reconstruction work with Water Works and impacted property owner.
  - 2. Provide new copper water service pipe as required; connect to new corporation valve in main and to new curb valve; connect to existing water service pipe with compression coupling.
    - a. The point of connection between existing pipes and new pipes shall be as close as practical to the existing curb valve box.
    - b. Contractor responsible for finding usable existing pipe within 10 feet of initial excavation for connection; if usable pipe cannot be found within 10 feet, contact the Water Works for further direction.

### **Figure 5010.102 (WM-102) – Tracer System**

Delete Figure and replace with Figure attached hereto.

### **Section 5011 – Fusible PVC and HDPE Pipe**

Delete Section 5011 in its entirety.

### **Section 5020 – Valves, Hydrants and Appurtenances**

#### **Part 1.07 – Special Requirements**

Add the following new A – C.

##### **A. Tapping Sleeve and Valves**

1. Water Works will perform the side cut for taps 12” diameter and smaller.
2. The Contractor shall perform all side cuts for taps larger than 12” diameter.
3. Contact the Water Works a minimum of one (1) working day prior to installation to schedule crews.

**B. Tapping Sleeve Pressure Test:** Water Works staff shall witness the pressure test performed by the Contractor on all tapping sleeves and valves prior to allowing the side cut. Perform pressure test in accordance with manufacturer’s recommendations or manufacturer provided installation instructions.

#### **Part 1.08 – Measurement and Payment**

Delete Paragraph B.3 and replace with the following new B.3.

3. Includes: Unit price includes, but is not limited to, tapping sleeve, tapping valve, hydrostatic pressure test, valve box and cover, valve box extension, and valve stem extension. Refer to 5020-1.07 for additional information. Refer to Section 5020, Paragraph 1.07 for Special Requirements.

Add the following new C.4:

3. **Special Requirements:** Hydrant extensions will not normally be allowed in new construction areas. Provide both finished grade and A maximum of one (1) extension may be allowed in reconstruction areas. Exceptions require prior written approval of the West Des Moines Water Works. Where used, barrel extensions are incidental to the hydrant assembly.

Add the following new D.4:

3. **Special Requirements:** Refer to section 5020-1.08-C.

Add the following new J.3.a

- a. When the water main is to remain in service, this item also includes the removal of the anchoring tee and replacement with straight pipe.

Add the following new M.

##### **M. Valve Box Manhole Removal:**

1. **Measurement:** Each valve manhole removed will be counted.
2. **Payment:** Payment will be at the unit price for each type of abandonment
3. **Includes:** The unit price includes, but is not limited to, excavation, removal of each valve box manhole, proper disposal of the manhole, backfill, compaction, and surface restoration to match the surrounding area.

#### **Part 2.01 – Valves**

Delete A.2 and replace with the following A.2:

3. **Direction of Opening:** The opening direction is counterclockwise as viewed from the top.

Add the following B.4.

- 4. Manufacturers:** Approved gate valves
  - 1. American Flow Control – Series 2500
  - 2. Clow – Model 2638

Delete D.2.e and replace with the following D.2.e:

- e. Outlet: Mechanical Joint (MJ)

**Part 2.02 – Fire Hydrant Assembly** – Delete B. and replace with the following new B.

- B. Manufacturers:** Approved fire hydrants
  - 1. Clow – Medallion
  - 2. Waterous – Pacer Model WB-67-250

Delete C.6 and replace with the following new C.6.

**C. Features:**

**6. Items to be specified:**

- a. **Operating Nut:** Pentagon shaped, 1-1/2 inch point to flat operating nut.
- b. **Pumper Nozzle:** One, 4-1/2 inches in diameter
- c. **Nozzle Threads:** National Standard threads
- d. **Main valve nominal opening size:** 5-1/4 inch diameter
- e. **Bury Depth:** Match water main depth, but not less than five feet.
- f. **Internal parts:** All threaded internal parts exposed to water shall consist of bronze. All cotter pins, drive pins, bolts, and screws exposed to water shall consist of stainless steel or brass.
- g. **Other Items:**
  - 1. Do not furnish chains with nozzle caps.
  - 2. Furnish hydrant and hydrant extension bury tags.
  - 3. A maximum of one (1) hydrant extension shall be allowed per hydrant.

Delete D and replace with the following new D.

**D. Painting:**

- 1. Shop coating according to AWWA C502.
  - a. Hydrants to be delivered to the site in a factory applied yellow finish. Hydrants delivered in another color shall be rejected by the Water Works.
- 2. Above grade exterior coating:
  - a. Sherwin Williams High Performance Acrylic paint – SHER-CRYL HPA, B66-300 series, Gloss Safety Yellow.

Delete E and replace with the following new E.

**E. External Bolts and Hex Nuts:**

- 1. Below Grade – Stainless steel according to ASTM A 193, Grade B 8.
- 2. Above Grade – Plated steel per manufacturer's recommendation.

**Part 2.03 – Appurtenances**

Delete C. and replace with the following C.

- C. Valve Stem Extension:** Where used, West Des Moines Water Works will provide valve stems for contractor installation. Contractor shall provide three weeks notice to the Water Distribution Manager (515.222.3465) to allow for ordering of extensions. Notice shall include calculated

depth of valve from top of nut to finished grade. Stem extensions to be installed by the contractor.

1. Do not use valve stem extensions on valves which measure less than 10 feet from top of nut to finished grade
2. Install valve stem extensions on all valves which measure more than 10 feet from top of nut to finished grade. Where used, top of valve stem extension shall be between one and three feet from finished grade. Install stem extension within a section of 8-inch diameter PVC C900 pipe used as a valve box.

### **Part 3.01 – General**

Add the following new F and G.

- F. Ensure that break flange and break coupling are at joint between barrel and nozzle section when extensions are installed.
- G. After hydrant is installed and is ready for use, Touch up paint as necessary to cover paint damaged during installation.

### **Figure 5020.201 (WM-201) – Fire Hydrant Assembly**

Delete Figure and replace with Figure attached hereto.

### **Section 5030 – Testing and Disinfection**

Part 3.01- Sequence of Testing and Disinfection

Delete A and add the following new A.

- A. Continuous-Feed Method (After Water Main Installation):** The sequence of testing and disinfection may be modified with prior approval of the Water Works.
  1. Perform initial flush.
  2. Perform pressure and leak testing.
  3. Perform disinfection.
  4. Flush after disinfection.

Delete B and add the following new B.

- B. Tablet Method (Concurrent with Water Main Installation) or Slug Method (After Water Main Installation):** Use these methods only with prior written approval of the Water Works.

Part 3.04 – Pressure and Leak Testing

Delete G – J.

### **DIVISION 6 – STRUCTURES FOR SANITARY AND STORM SEWERS**

No modifications

### **DIVISION 7 – STREETS AND RELATED WORK**

#### **Section 7010 – Streets and Related Work**

June 2024

### **Part 3.06 – Use of Pavement**

Revise the minimum Compressive Strengths shown in Table 7010.01 to 4,000 psi.

## **Section 7030 – Recreation Trails, Sidewalks and Driveways**

### **Part 1.07 – Special Requirements**

Add the following new A – E.

- A. Construct Recreational Trails, Sidewalks, and Driveways in accordance with current PROWAG/SUDAS requirements. Refer to the Section 7030, Part 3.08 for additional testing requirements.
- B. Do not replace “carriage walks”; restore area with turf as specified. Replacement trails, sidewalks and driveways shall match existing horizontal dimensions and surface texture. Minimum thickness of replaced panels is six (6) inches or the existing thickness plus two (2) inches, whichever is greater. Reconstruct joints to match existing work.
- C. Concrete reinforcement to comply with current City of West Des Moines specifications.
- D. Driveway Approaches:
  - 1. Portland Cement Concrete, Asphalt Cement Concrete, and gravel driveway approaches shall be replaced with Portland cement concrete.
  - 2. Driveway approaches having no connecting driveway in adjacent private property will not be replaced.
- E. Additional Removal due to Damaged Panels
  - 1. Additional surfacing damaged by the Contractor through carelessness or poor workmanship shall be removed and replaced by the Contractor at no additional project cost. Full panel replacement is required.

## **Section 7040 – Pavement Rehabilitation**

### **Part 1.07 – Special Requirements**

Add the following new A and B.

- A. Additional Removal due to Damaged Panels
  - 1. Additional surfacing damaged by the Contractor through carelessness or poor workmanship shall be removed and replaced by the Contractor at no additional project cost. Full panel replacement is required.
- B. Pavement Cross Section
  - 1. Pavement Type – All pavements shall be replaced with a like pavement section to the removed pavement.
  - 2. Full Depth Patches – The thickness of full depth patches shall equal existing pavement thickness plus two (2) inches.

## **DIVISION 8 – TRAFFIC CONTROL**

No modifications

## **DIVISION 9 – SITE WORK AND LANDSCAPING**

### **Section 9010 - Seeding**

#### **Part 1.08 – Measurement and Payment**

Add the following new 1.08.D.4.

4. Water Usage – The West Des Moines Water Works will provide the Contractor “No Cost” water on projects bid by the City of West Des Moines and West Des Moines Water Works subject to the following requirements:
  - a. “No Cost” water shall be metered through a West Des Moines Water Works hydrant meter. A refundable meter deposit is required.
  - b. The Contractor will abide by the rules and regulations of bulk water usage as prepared by West Des Moines Water Works.
  - c. The Contractor will only use hydrants that have been previously approved by the West Des Moines Water Works for bulk water usage.
  - d. The quantity of “No Cost” water provided will be limited to 870 gallons of water per square (100 square feet) of restored area. Additional water usage shall be the sole responsibility of the Contractor and shall be paid for at the current West Des Moines Water Works bulk water rate. No additional “No Cost” water will be provided for areas requiring rework.
  - e. To receive the water credit, the Contractor shall provide written measurements to the Water Works for all restored areas. Measurements and calculations are subject to verification.

### **Section 9020 – Sodding**

#### **Part 1.08 – Measurement and Payment**

Add the following new A.3.a.

- a. “No Cost” water shall be provided as described in Section 9010, Part 1.08.D.4.

#### **Part 1.08 – Measurement and Payment**

Add the following new B.

- B. Surface Restoration
  1. **Measurement:** Lump Sum item; no measurement will be made.
  2. **Payment:** Payment will be at the lump sum price for Surface Restoration.
  3. **Includes:** Fine grading, topsoil, sod, preparation of sod and sodbed, fertilizer, watering, 30-day maintenance period and cleanup. Also included is any sod replacement during the maintenance period.

#### **Part 3.06 Maintenance**

Delete A. and replace with the following new A.

- A. Begin maintenance immediately following installation of sod and continue for a period until the sod is well established with sod rooted in place. The maintenance period will be for 30 days, or until the acceptance criteria have been met, whichever is longer.

#### **Part 3.08 Acceptance**

Add the following new A.2.a.

- a. At Water Works discretion, up to 10-15 percent of the total sodded area may contain limited amounts of weeds, undesirable grass species, disease and insects.

**DIVISION 10 – DEMOLITION**

No modifications

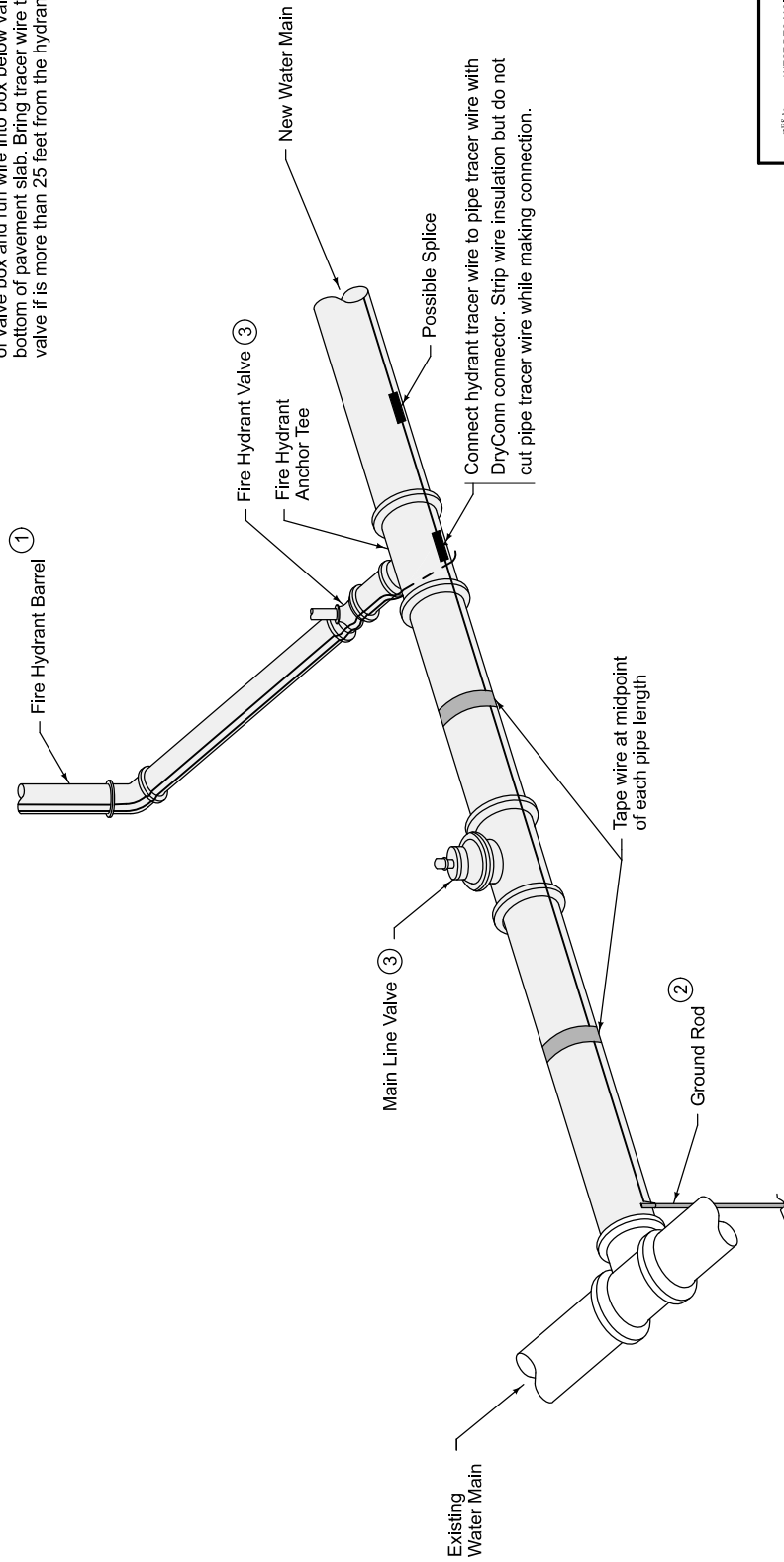
**DIVISION 11 – MISCELLANEOUS**

No modifications






- ① Extend tracer wire up fire hydrant barrel to internal terminals of tracer wire station and back down. Refer to WM-201 for details of fire hydrant assembly.
- ② Clamp tracer wire to ground rod at system termination points.
- ③ Run wire up the outside of the valve box. Notch the top of valve box and run wire into box below valve box lid or bottom of pavement slab. Bring tracer wire to surface if valve it is more than 25 feet from the hydrant

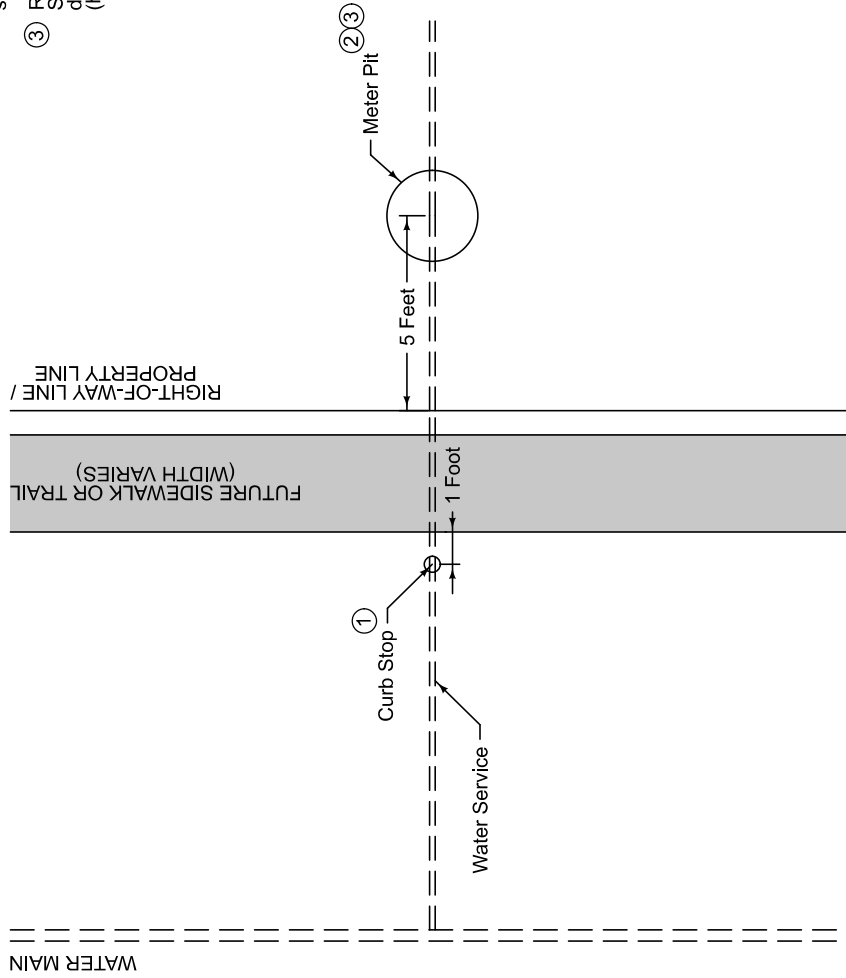



TYPICAL INSTALLATION

 WEST DES MOINES WATER WORKS 1505 Park Ave. S.E. West Des Moines, Iowa 50265 515-222-3510 Office 515-222-3465 Plant	REGION 2   01-01-20
	<b>WM-102</b> SHEET 1 of 1
REVISIONS: Modifications for West Des Moines Water Works System.	
TRACER SYSTEM	



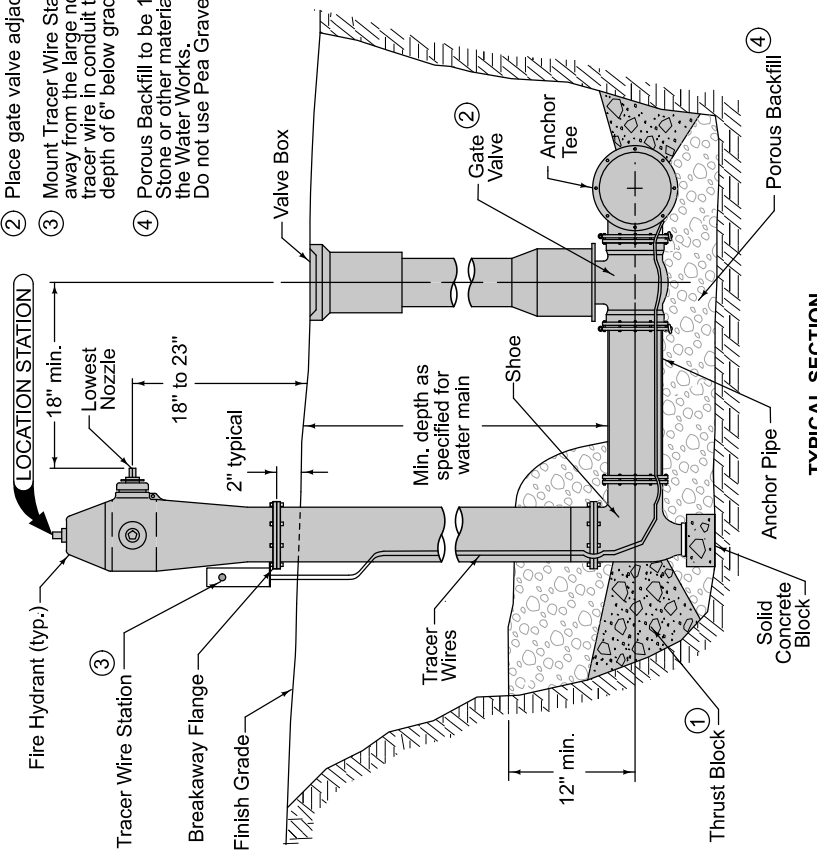
- ① Curb stop to be placed one foot to the street side of the sidewalk or recreational trail.
- ② Center of Meter Pit to be five feet to the property side of the Right-of-Way and/or Property Line
- ③ Refer to West Des Moines Water Works - Water Service and Metering Specifications - Part 4 for details of meter pit construction. (<https://www.wdmww.com/specs.aspx>)



 WEST DES MOINES WATER WORKS 1505 Park Ave. West Des Moines, Iowa 50265 515-222-3510 Office 515-222-3465 Plant	REVISION NEW 05-01-24
	<b>SPECIAL</b> SHEET 1 OF 1
REVISIONS: Modifications for West Des Moines Water Works System.	
METER PIT LOCATION	



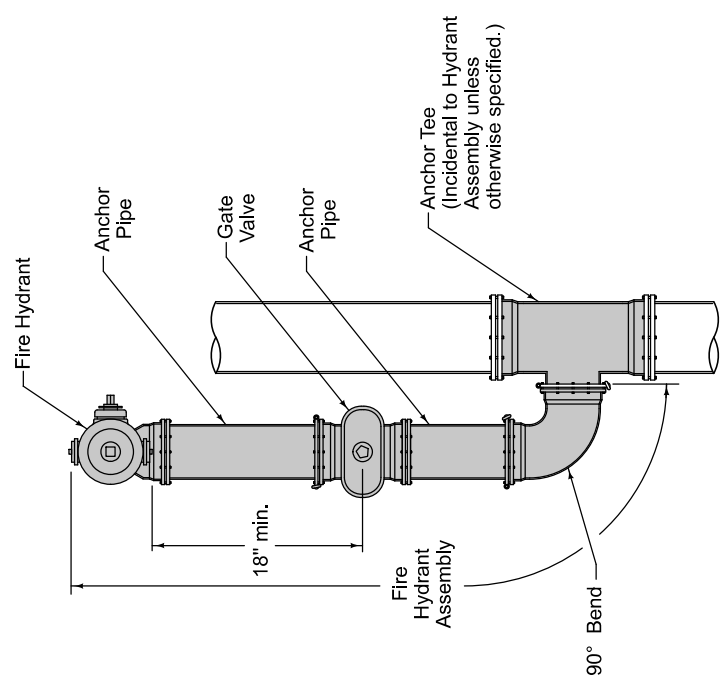
- ① Do not cover drain holes or tracer wire.
- ② Place gate valve adjacent to tee.
- ③ Mount Tracer Wire Station to the side away from the large nozzle. Protect tracer wire in conduit to a minimum depth of 6" below grade.
- ④ Porous Backfill to be 1" Clean Crushed Stone or other material as approved by the Water Works. Do not use Pea Gravel.



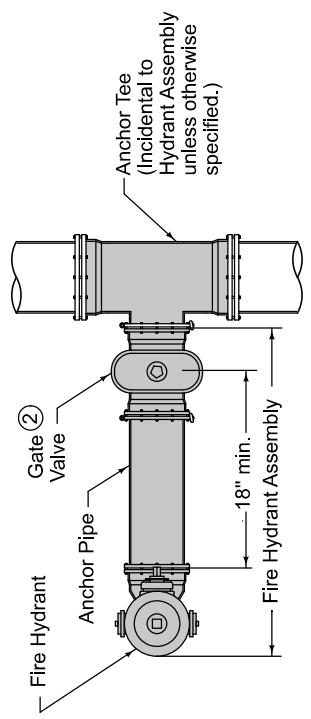
TYPICAL SECTION

Use ductile iron pipe with restrained mechanical joints for fire hydrant assembly and anchor tee.

- Long Hydrant Assemblies
- Hydrant assemblies longer than twenty feet require a second valve located within two feet of the hydrant.
  - When a second valve is used, ductile iron or PVC pipe may be used between the two valves.



ALTERNATE PLAN  
(USE ONLY WHERE SPECIFIED)



TYPICAL PLAN

 WEST DES MOINES WATER WORKS 1505 Park Ave. S.E. West Des Moines, Iowa 50265 515-222-3510 Office 515-222-3465 Plant	REVISION 4 03-01-23
	<b>WM-201</b> SHEET 1 of 1
REVISIONS: Modifications for West Des Moines Water Works System.	
FIRE HYDRANT ASSEMBLY	

